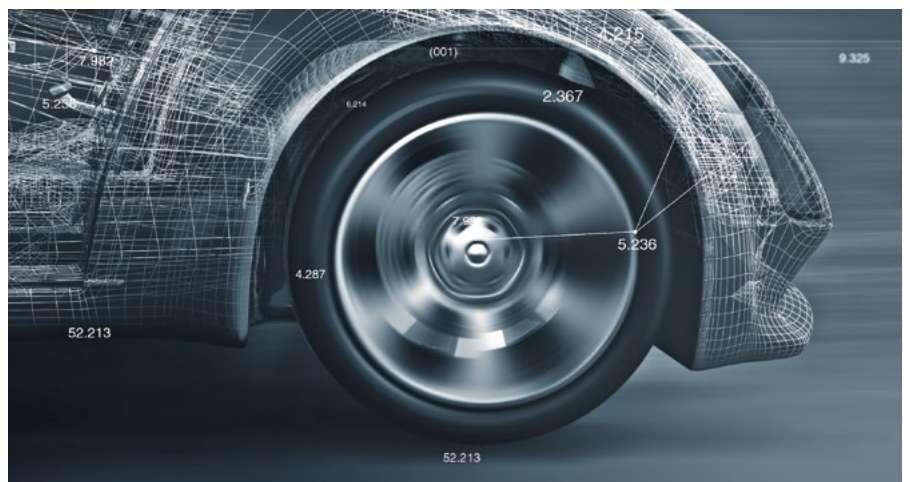
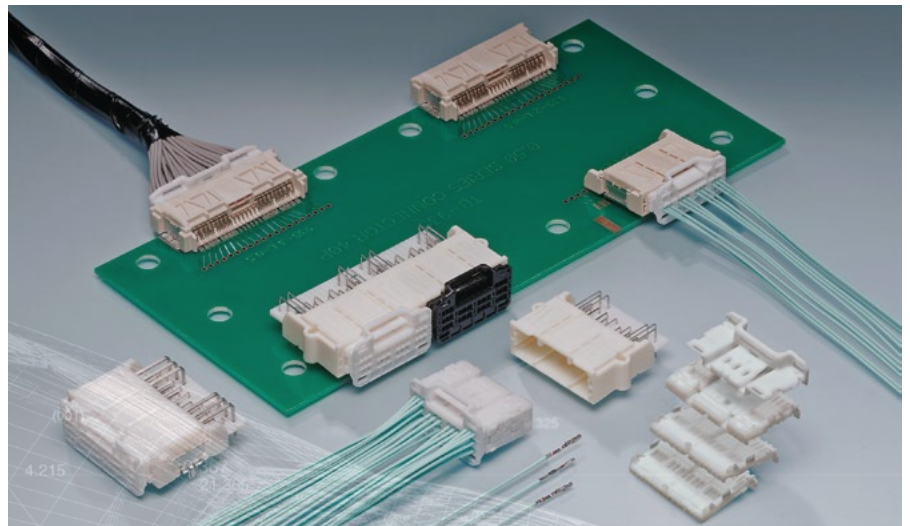
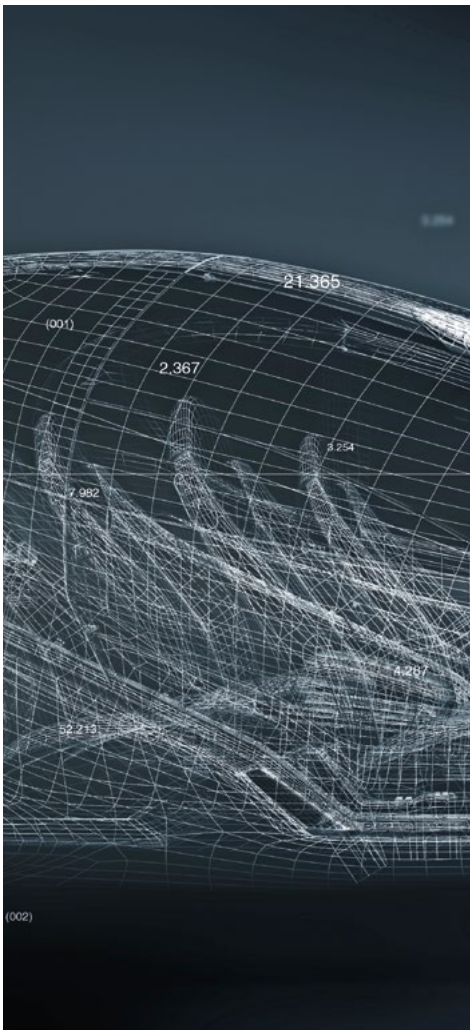


0.50 CONNECTOR SERIES

for the Automotive Industry



0.50 Connector Series for the Automotive Industry

The 0.5 connector series and 0.5/1.5 hybrids connector series are automotive I/O connectors with super fine wires and have greatly aided in making automotive ECUs thinner, smaller and lighter.

Features

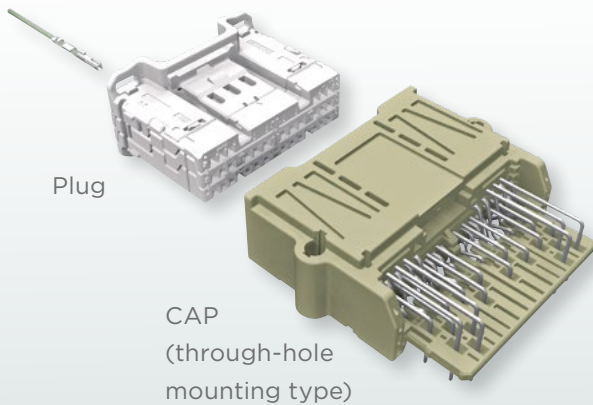
- Facilitates high-component density.
- 0.5 mm ultra compact terminal that keeps the contact reliability equal to the 0.64 series connector.
- Lineup includes surface mounting types as well as through hole mounting types.
- Fixing through hole mounting types by board lock or screw.
- Connectors' center of gravity calculated for stable surface mounting.
- Low insertion force design.
- Ergonomic design used to make plugs small yet easy to carry with an audible lock to confirm connection.
- Supports ultra-fine wires.

Main Applications

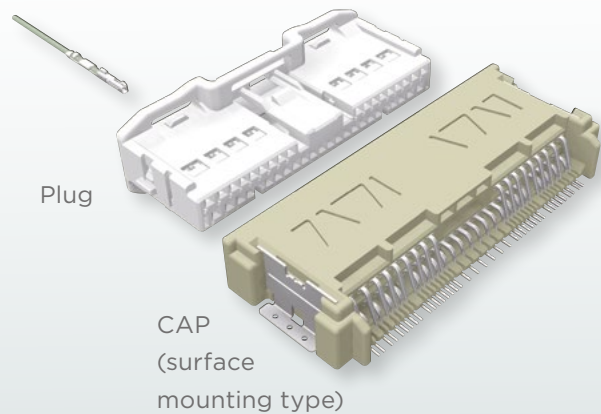
- Body control
- Smart key
- Air conditioning
- Navigation
- Headlight leveling
- Power management
- Data communication module
- Driving support system
- Rear door system
- Meter
- Front/rear camera
- Rudder angle

Configuration of Connectors

0.5 Receptacle Contact



0.5 Receptacle Contact



Product Specification

108-78208

0.5 surface mounting type

108-7843

70.5 and 0.5/1.5 hybrids through-hole mounting type

108-78438

0.5/1.5 hybrids surface mounting type, 16 Pos.

Application specification

114-5379

0.5 receptacle contact

Instruction sheet

411-78199

0.5 surface mounting type

411-78268

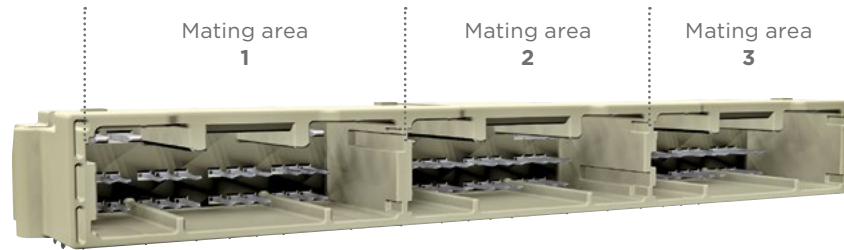
0.5 and 0.5/1.5 hybrids through-hole mounting type

411-78269

0.5/1.5 hybrids surface mounting type, 16 Pos.

0.50 Connector Series for the Automotive Industry

CAP Connector



Mating area of cap connector is described from left of connector's front

0.50 Series Connector / CAP

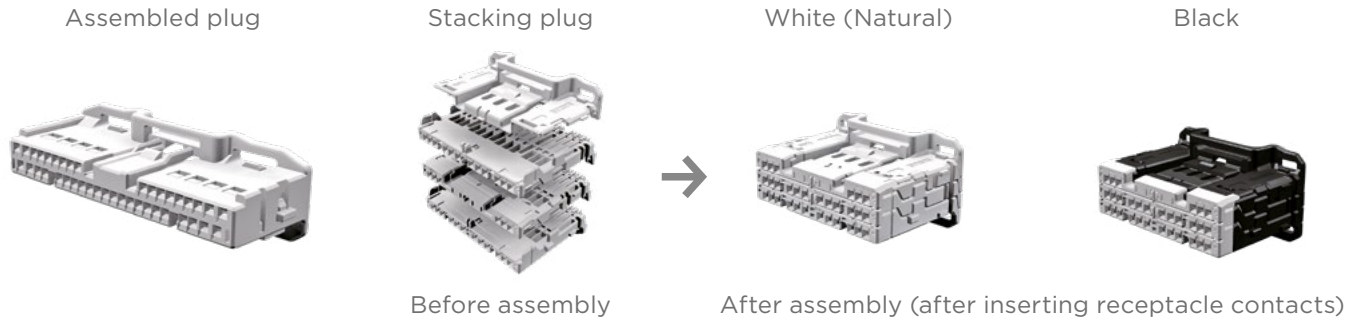
No. of positions	Part number	Appearance	Mounting type	Fix method	Allocation of position			Color	HSG material	Plating
					Mating area 1	Mating area 2	Mating area 3			
24	2013029-5		Surface mounting	Peg	24 Pos.	—	—	Black	LCP resin with glass filled	Tin
40	1871806-5		Surface mounting	Peg	40 Pos.	—	—	White (Natural)	LCP resin with glass filled	Tin
30	1939440-1		Through-hole mounting	Screw	30 Pos.	—	—	White (Natural)	SPS resin with glass filled	Tin
30	1939331-1		Through-hole mounting	Screw	18 Pos.	12 Pos.	—	White (Natural)	SPS resin with glass filled	Tin + gold
60	1903695-4		Through-hole mounting	Screw	30 Pos.	30 Pos.	—	White (Natural)	SPS resin with glass filled	Tin + gold

0.5 / 1.5 Series Hybrid Connector / CAP

No. of positions	Part number	Appearance	Mounting type	Fix method	Allocation of position			Color	HSG material	Plating
					Mating area 1	Mating area 2	Mating area 3			
16	1939082-9		Surface mounting	Peg	16 Pos.	—	—	White (Natural)	LCP resin with glass filled	Tin
38	1903876-2		Through-hole mounting	Board lock	38 Pos.	—	—	White (Natural)	PBT resin with glass filled	Tin
58	1903166-1		Through-hole mounting	Board lock	30 Pos.	28 Pos.	—	White (Natural)	PBT resin with glass filled	Tin + gold
76	1903965-1		Through-hole mounting	Screw	28 Pos.	30 Pos.	18 Pos.	White (Natural)	SPS resin with glass filled	Tin
86	2288662-1		Through-hole mounting	Screw	28 Pos.	30 Pos.	28 Pos.	White (Natural)	SPS resin with glass filled	Tin

0.50 Connector Series for the Automotive Industry

Plug Connector



0.50 Series Connector / Plug

Plug	Mating area 1				Mating area 2				Mating area 3			
	Positions/ Part number	0.5 contact	1.5 contact	Color	Positions/ Part number	0.5 contact	1.5 contact	Color	Positions/ Part number	0.5 contact	1.5 contact	Color
Assembled Plug	24 Pos. 2013031-2	24	—	Black	—	—	—	—	—	—	—	—
Assembled Plug	40 Pos. 1827842-1	40	—	White (Natural)	—	—	—	—	—	—	—	—
Stacking Plug	Lock HSG Plug upper Plug middle Plug lower	30 Pos. 1903614-1 1903615-1 1903608-4 1903611-5	30	—	White (Natural)	—	—	—	—	—	—	—
	Lock HSG Plug upper Plug middle Plug lower	18 Pos. 1903984-1 1903985-1 1903988-4 1903991-4	18	—	White (Natural)	12 Pos. 1903994-1 — 1903995-1 1903998-1	12	—	White (Natural)	—	—	—
	Lock HSG Plug upper Plug middle Plug lower	30 Pos. 1903614-1 1903615-3 1903608-6 1903611-4	30	—	White (Natural)	30 Pos. 1903614-2 1903615-4 1-1903608-0 2-1903611-6	30	—	Black	—	—	—

0.50 Series Hybrid Connector / Plug

Plug	Mating area 1				Mating area 2				Mating area 3				
	Positions/ Part number	0.5 contact	1.5 contact	Color	Positions/ Part number	0.5 contact	1.5 contact	Color	Positions/ Part number	0.5 contact	1.5 contact	Color	
Stacking Plug	Lock HSG Plug upper Plug middle Plug lower	16 Pos. 1903607-1 — — 1903611-1	12	4	White (Natural)	—	—	—	—	—	—	—	
	Lock HSG Plug upper Plug middle Plug lower	38 Pos. 1903882-1 — 1903883-1 1903886-4	32	6	White (Natural)	—	—	—	—	—	—	—	
	Lock HSG Plug upper Plug middle Plug lower	30 Pos. 1903614-1 1903615-1 1903608-4 1903611-6	30	—	White (Natural)	28 Pos. 1903607-4 — 1903608-8 1-1903611-0	24	4	Black	—	—	—	
Stacking Plug	Lock HSG Plug upper Plug middle Plug lower	28 Pos. 1903607-1 — 1903608-3 1903611-4	24	4	White (Natural)	30 Pos. 1903614-1 1903615-1 1903608-4 1903611-5	30	—	White (Natural)	18 Pos. 1903984-1 1903985-1 1903988-4 1903991-4	18	—	White (Natural)
	Lock HSG Plug upper Plug middle Plug lower	28 Pos. 1-1903607-5 — 1-1903608-3 1-1903611-6	24	4	Gray	30 Pos. 1903614-1 1903615-1 1903608-4 1903611-6	30	—	White (Natural)	28 Pos. 1903607-1 — 1903608-2 1903611-4	24	4	White (Natural)

0.50 Connector Series for the Automotive Industry

0.50 Receptacle Contact

Contact	Applicable wire	Wire ins. diameter	Contact material / finish	Part number
	CHFUS 0.22-0.35 mm ²	0.95-1.2 mm	Copper alloy/ Pre-tinned	1827855-1
			Copper alloy/ Selective gold	1903703-1
	CHFUS 0.35-0.5 mm ²	1.1-1.4 mm	Copper alloy/ Pre-tinned	1827855-2
	CPEX 0.22 mm ²	1.3-1.5 mm	Copper alloy/ Pre-tinned	1827855-3
Application specification: 114-5379-1	CHFUS 0.13 mm ²	0.85-0.95 mm	Copper alloy/ Pre-tinned	1827855-4

1.5 Receptacle Contact

Please consult with our sales representatives for selecting applicable 1.5 receptacle contacts.



0.50 Connector Series
[ONLINE](#)

**FOR FURTHER INFORMATION
PLEASE CONTACT US**

JAPAN

Product Information Center:
Phone: +81 (0)44-844-8050



TE Connectivity Automotive

3-5-8 Hisamoto, Takatsu-ku, Kawasaki
Kanagawa 213-8535, Japan

www.TE.com

© 2021 TE Connectivity | All rights reserved.

TE, TE Connectivity, and TE connectivity (logo) are trademarks owned or licensed by the TE Connectivity Ltd. family of companies. Other logos, product(s) and/or company names might be trademarks of their respective owners.

TE Connectivity's only obligations are those stated in TE's General Terms and Conditions of Business (www.te.com/aboutus/tandc.asp). TE expressly disclaims any implied warranty regarding the information contained herein, including, but not limited to, the implied warranties of merchantability or fitness for a particular purpose.

1654360-2 | Revision 03-2021