



KISSLING E-STOP

Series ES

QUALITY SAFETY SWITCH

It doesn't matter whether you call it an e-stop, emergency stop, emergency switch or e-stop switch, we have the right switch for your application. Our selection of sealed safety and emergency stop (e-stop) switches have been designed and manufactured to the highest quality standards. In addition to classic applications on emergency vehicles, work trucks, off road equipment and heavy machinery, the e-stop application area also covers the complete e-mobility market including charging stations.

FEATURES

- Sealed housing meets IP67 and IP6K9K
- 1-, 2- and 3-pole versions NO/NC
- 2-pole change-over version
- Continuous current up to 10 A
- Up to 40,000 cycles mechanical life

APPLICATIONS

- E-mobility charging station
- Commercial vehicles
- Off-Road vehicles
- Lifting vehicles
- Construction and agricultural vehicles
- Hydraulic systems
- Remote control panels

COMPACT, SEALED AND RUGGEDIZE

The ES series is a compact, sealed and ruggedized switch with small dimensions and a high resistance to shock, vibration, dust and moisture. These characteristics are important for safe and reliable switching. Thanks to our fully sealed switch, no additional protection such as a box or enclosure is required. It is a plug and play system which can be used in hazardous environments. Safety related switching applications are no place to compromise on quality.



SPECIFICATION

Technical Data	
Protection	IEC 60529 IP67 and IP6K9K
Temperature range	-40°C to +85°C
Material terminals	CuZn
Thread sizes / Torque	M30 x 1.5 = max. 6 Nm

Mechanical Data (Change-over)	
Locking	EN 60947-5-5
Positive opening operation	EN 60947-5-5
Operating force	20 - 50 N
Torque knob max.	3 Nm
Current carrying parts	Cu-alloy
Contact material	Ag-alloy
Mechanical life	40,000 cycles
Frequency	max. 100/min.

Electrical data	
Voltage range	9-32 VDC
Nominal voltage	12 VDC / 24 VDC
Dielectric withstanding voltage	1050 VAC up to 1 min.
Contact resistance	max. 50 mΩ
Insulation resistance	> 100 MΩ at 500 VDC
Continuous current	10 mA - 10 A
Current max.	10.1 A
Switching capacity min.	12 VDC, 10 mA
Short circuit protection	Automotive fast-acting fuse 10 A is recommended on the same circuit.

ACCESSORIES

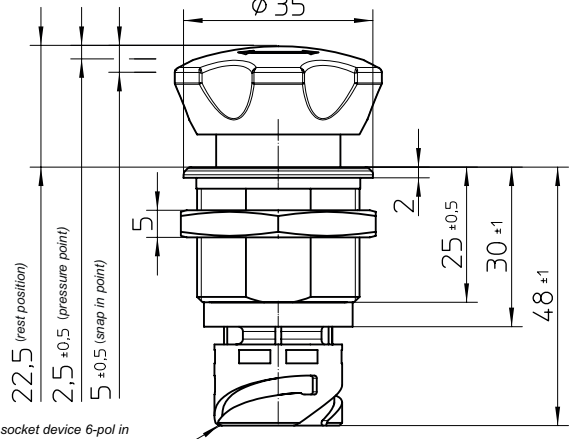
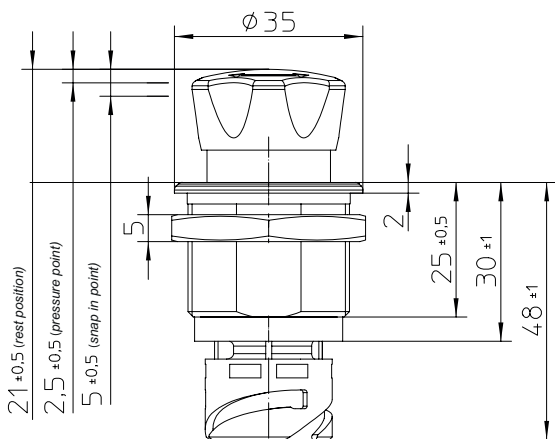
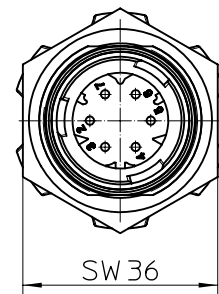
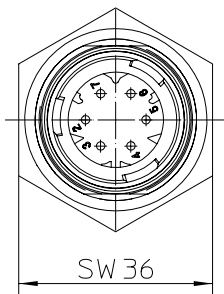
Description		Part Number	
Actuation protection		24-63-029	
Symbol label		24-63-024 de/en	24-63-040 blank



TECHNICAL DRAWINGS

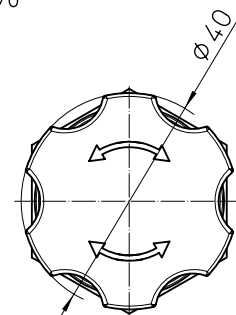
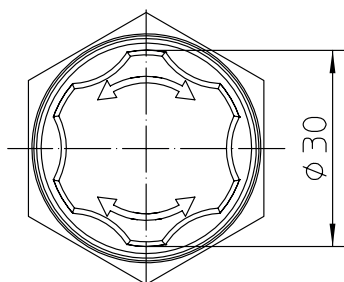
Product sample ES-2012-T111

Product sample ES-2012-T112



plug and socket device 6-pol in accordance to
DIN 72585 / ISO 15170

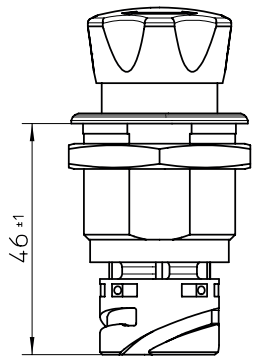
plug and socket device 6-pol in accordance to
DIN 72585 / ISO 15170



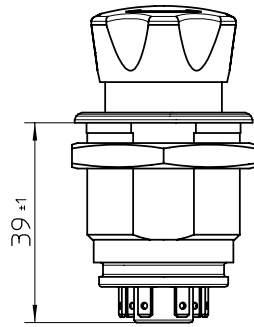
CONNECTORS

Bayonet connection

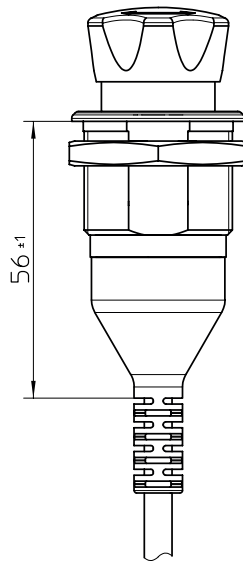
DIN 72585 / ISO 15170



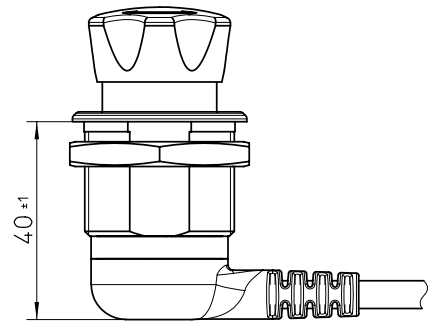
FASTON connection



Cable connection axial



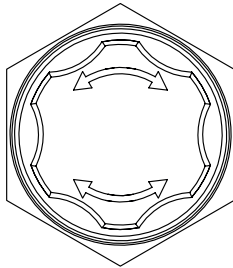
Cable connection laterally



ACTUATOR SYMBOL

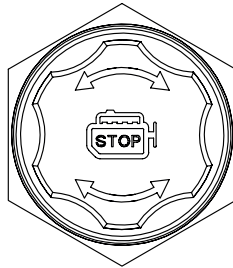
Arrow

T



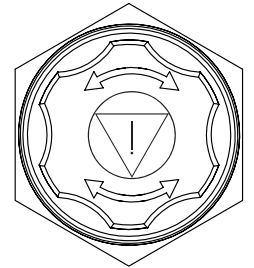
Motor

A



Safety

S



ORDERING INFORMATION

Part Number
example: ES - 2 003-T412-020 C
ES - - - - -

If the PN has a "-9xx" added at the end, it indicates some form of customization to the basic PN.

Housing

2	Central thread
---	----------------

Switching Function

0-2	number of NO/NC contacts (3 pins)
-----	-----------------------------------

0-3	number of NO contacts (2 pins)
-----	--------------------------------

0-3	number of NC contacts (2 pins)
-----	--------------------------------

Maximum number of pins is 7 total. Any combination of circuits / illumination is possible with 7 or fewer pins required.

Actuator Symbol

T	Arrows only
A	Motor symbol with arrows
S	Safety symbol with arrows

Connector Information

-	on request
---	------------

Cable length (in cm)

----	on request
------	------------

Actuator size

1	30 mm
2	40 mm

Illumination

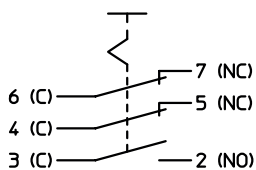
1	no
2	yes

Connector

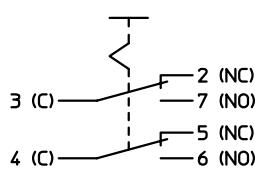
1	plug and socket device
2	FASTON connection
3	cable connection axial
4	cable connection laterally

CIRCUITS

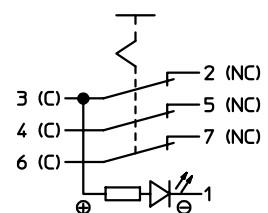
2 NC / 1 NO



2 NO/NC Change-over



3 NC Backlit



These are example circuits and not the only circuit possibilities.

[te.com/KISSLING](https://www.te.com/KISSLING)

© 2023 TE Connectivity. All rights reserved.

KISSLING, TE, TE Connectivity, and TE connectivity (logo) are trademarks owned or licensed by the TE Connectivity Ltd. family of companies. Other logos, product(s) and/or company names might be trademarks of their respective owners.

TE Connectivity's (TE's) only obligations are those stated in TE's General Terms and Conditions of Business (www.te.com/aboutus/tandc.asp). While TE has made every reasonable effort to ensure the accuracy of the information in this catalog, TE does not guarantee that it is error-free, nor does TE make any other representation, warranty or guarantee that the information is accurate, correct, reliable or current. TE reserves the right to make any adjustments to the information contained herein at any time without notice. TE expressly disclaims all implied warranties regarding the information contained herein, including, but not limited to, any implied warranties of merchantability or fitness for a particular purpose. The specifications in this catalog are for reference purposes only and are subject to change without notice. Consult TE for the latest dimensions and design specifications.

Published 11-2023

